

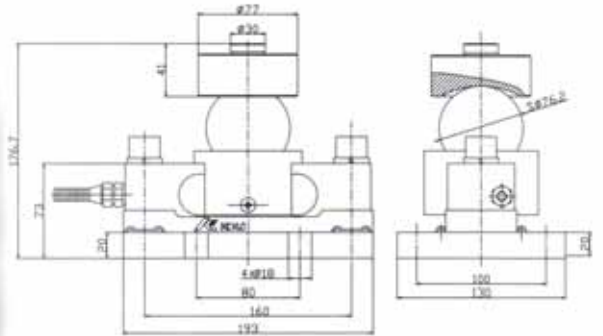
Commandor Scale Master

Analog Loadcell

HP-ZCB



LOADCELL



Capacity	10,000 Kg. / 30,000 Kg.
Sensitivity	2.0 +/- 0.002 mV/V
Total error	+/- 0.03 % FS.
Creep (30min.)	+/- 0.02 % FS.
Zero balance	+/- 1 % FS.
Input resistance	750 +/- 10 Ω
Output resistance	703 +/- 2 Ω
Insulation resistance	>= 5000 MΩ
Operating temperature	-30 to +70 °C
Safe load limit	120% of Capacity
Overload limit	150% of Capacity
Recommend excitation	5 – 12 VDC
Maximum excitation	15 VDC
Protection class	IP68
Casing	Alloy steel

Specifications subject to change without notice